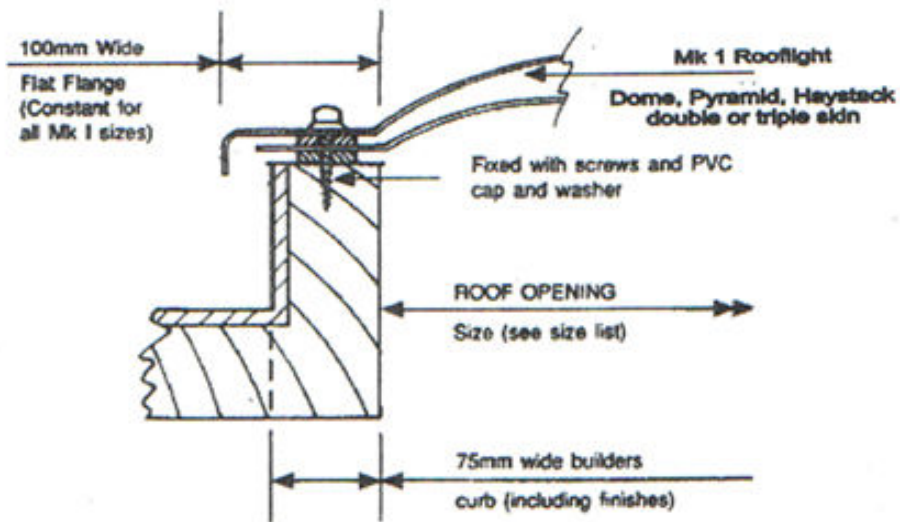


data sheets

newdome mark I

For fixing to new or existing FLAT TOP building curbs. - All sizes are ROOF OPENING SIZE; overall rooflight size in all cases will be roof opening size plus 200mm.



standard sizes

300 x 300	750 x 750	1050 x 1050	diameters
450 x 450	750 x 1050	1050 x 1500	600 dia.
450 x 750	900 x 900	1050 x 1650	750 dia.
450 x 1050	900 x 1200	1050 x 2250	900 dia.

Queens Mill Road
Lockwood
Huddersfield
West Yorkshire
HD1 3PG
England

t + 44 (0) 1484 517010
f + 44 (0) 1484 517050

e sales@n-gn.co.uk
w www.glassbending.co.uk

Reg. No. 5719519
VAT No. 878033306



600 x 600	900 x 1350	1200 x 1200	1050 dia.
600 x 750	900 x 1500	1200 x 1800	1200 dia.
600 x 900	900 x 1800	1200 x 2400	1350 dia.
600 x 1200	900 x 2100	1500 x 1500	1500 dia.

Non - Standard Sizes may also be available

mk 1 Rooflights are supplied with screws, caps and washers, and with continuous gaskets for non-ventilated use, plastic packers can be supplied to give trickle ventilation.

profiles - MK 1 Rooflights can be Dome, Pyramid and double or triple skin.

materials - Clear, Opal or Bronze UV protected Polycarbonate.

(Under present safety recommendations single skin rooflights should not be installed).

storage - MK1 Rooflights should be stored under cover prior to fixing and should not be stacked on top of each other which can cause breakage and deformation.

maintenance - Clean only with dilute household detergent. Do not use abrasive cleaners or solvents.

Queens Mill Road
Lockwood
Huddersfield
West Yorkshire
HD1 3PG
England

t + 44 (0) 1484 517010

f + 44 (0) 1484 517050

e sales@n-gn.co.uk

w www.glassbending.co.uk

Reg. No. 5719519
VAT No. 878033306