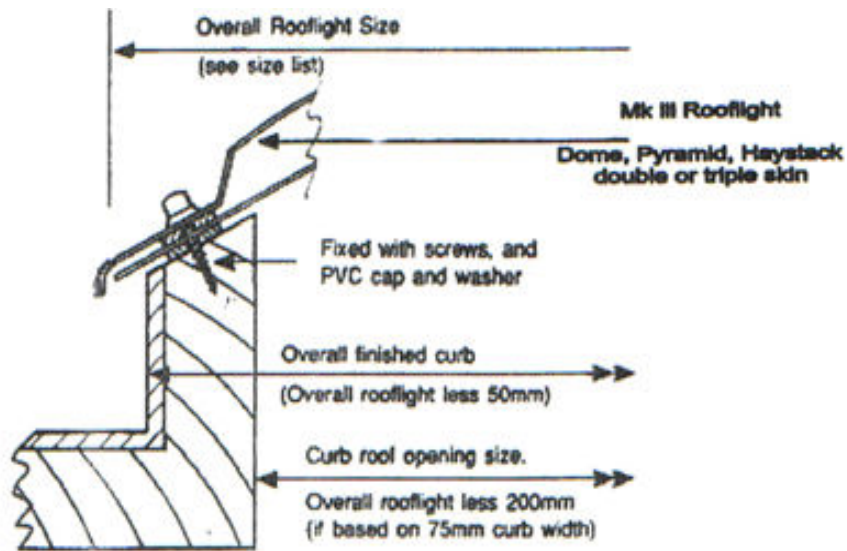


data sheets

newdome mark III

For fixing to new or existing SPLATED/ANGLED TOP builder's curbs. - ALL sizes are OVERALL ROOFLIGHT SIZE.



standard sizes

	Dimensions			diameters
450 x 450	900 x 1200	1200 x 1800		600 dia.
600 x 600	900 x 1500	1200 x 2400		750 dia.
600 x 900	900 x 1800	1350 x 1350		900 dia.

Queens Mill Road
Lockwood
Huddersfield
West Yorkshire
HD1 3PG
England

t + 44 (0) 1484 517010
f + 44 (0) 1484 517050

e sales@n-gn.co.uk
w www.glassbending.co.uk

Reg. No. 5719519
VAT No. 878033306

600 x 1200	1050 x 1050	1500 x 1500	1050 dia.
750 x 750	1050 x 1500	1800 x 1800	1200 dia.
750 x 900	1050 x 1650		1350 dia.
750 x 1050	1200 x 1200		1500 dia.
900 x 900	1200 x 1500		1650 dia.
			1800 dia.

Non - Standard Sizes may also be available

mk III Rooflights are supplied with screws, caps and washers, and with continuous gaskets for non-ventilated use, plastic packers can be supplied to give trickle ventilation.

profiles - MK III Rooflights can be Dome, Pyramid and double or triple skin.

materials - Clear, Opal or Bronze UV protected Polycarbonate. (Under present safety recommendations single skin rooflights should not be installed).

storage - MK III Rooflights should be stored under cover prior to fixing and should not be stacked on top of each other which can cause breakage and deformation.

maintenance - Clean only with dilute household detergent. Do not use abrasive cleaners or solvents.